

Series F1302

LED 10" Square Wet Location Close-To-Ceiling

Excellent for lighting residential exteriors, entry ways, stain ways, walkways, perimeters, parking garages, storage areas, and warehouses. Choice of white or black molded plastic housing with white powder coated steel gear tray in a choice of styles LED, incandescent or fluorescent versions with polycarbonate diffuser. UL listed for wet location. Energy Star rated.

CONSTRUCTION

Molded of Durable Non-Corrosive UV Resistant Resins. Wall or Ceiling Mounted.

TYPICAL OPTIONS & ACCESSORIES

Photocell or motion sensor options.



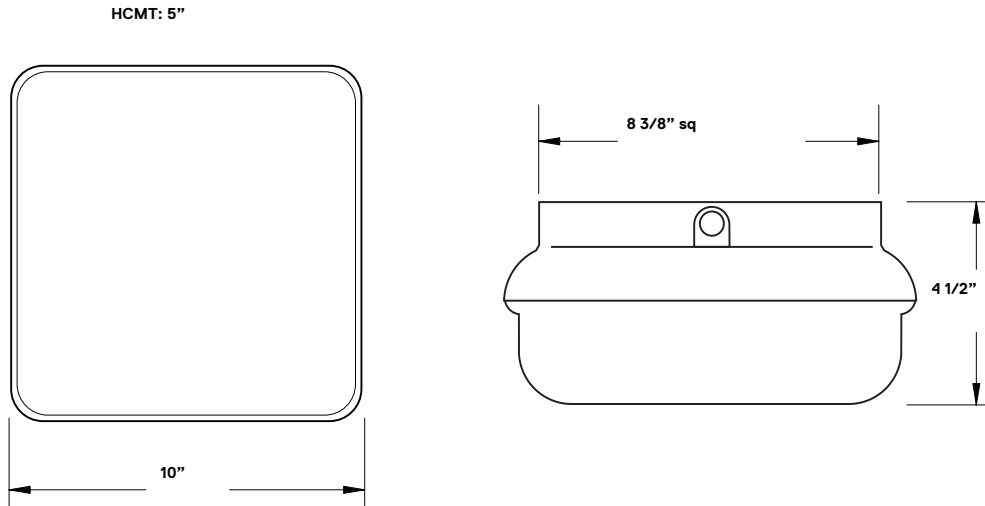
DIMENSIONS

Width: 10"
Height: 4.50"
Length: 10"

FEATURES & BENEFITS

- Available in black or white housing with white lens
- Wall or Ceiling Mounted
- Knockouts for Conduit or Photocell
- 80 CRI
- 50,000 hrs L70 Ambient Operating Temperature -40C to +40C
- 120V to 277V, 50/60Hz, 3 years warranty
- 120V Dimming, 50/60Hz, 5 years warranty

DRAWINGS & IMAGES



PRODUCT NUMBERS

ITEM NUMBER	DESCRIPTION
F13022INCLPLEDWH	SQUARE CEILING WET 2 Incand. socket & LED Lamp 9.5W A19 27K Incl. White Dimmable 120V
F1302L23W1900LD120WH40	SQUARE CEILING WET 23W 1900L White Dimmable 120V
F1302L22W1824LMVWH40K	SQUARE CEILING WET 22W 1824L White Multi-Volt