

CPY Series

Economy LED Canopy

Applications

LED canopy lights are popular to be used for parking garages, parking lots, warehouses, security lighting, exhibit halls and storage areas. Saving 60 to 80% in energy costs. Made of heavy duty cast aluminum housing with polyester powder coated and UV resistant polycarbonate lens.



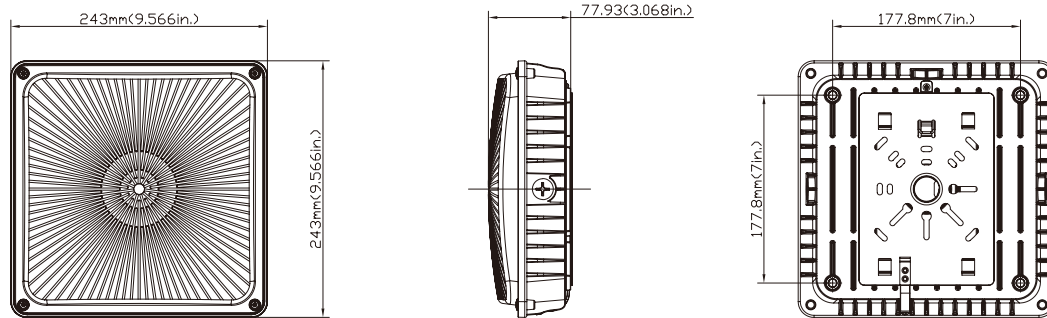
Features

- Sealed die-casting profile for indoor and outdoor applications
- Polycarbonate optical lens with heat resisting
- 27W-60W power consumption
- Replacing 100-175W MH
- Lumen output from 3750lm-8000lm
- Built-in UL class 2 driver, optional for PIR sensor and emergency battery
- 120-277V and 347-480V for North America
- UL/c UL listed and DLC Premium
- Operating Ambient Temp -40 to 45C

Emergency battery

Dimensions

All dimensions are inches. Specifications subject to change without notice



ORDERING INFORMATION

Example: CPY10L40W5400LDMV50K

CPY	10L	45W4200L	DMV	50K
Series	Size	Wattage & Lumen	Driver	Kelvin Temperature
CPY	10L	27 3 00L	DMV	50K
LED Low Profile Canopy	10" x 10"	27 System Watts, 3000 Delivered Lumens	0-10V Dimming	5000K
		40W5400L		
		40 System Watts, 5400 Delivered Lumens		
		60W 000L		
		60 System Watts, 6000 Delivered Lumens		

Catalog Number:
Notes: