



### FEATURES & SPECIFICATIONS

#### INTENDED USE

CITADEL 2™ offers more versatility than any other weatherproof enclosure offered in North America. Poured in place gasket and cam latches seal the enclosures. The Mounting System can provide dramatic savings on the installation labor. Designed around T8 and T5 lamps for long term energy savings. Very tough diffusers resist breakage.

#### SIZE W x L x H in inches (mm)

4.50W x 4.12H (115 x 105)

7.30W x 4.12H (185 x 105)

#### LAMP

1, 2 or 3 Lamp Positions in cross section. (For 1 lamp, add "N")

#### MATERIALS & FEATURES

One-piece compression-molded polyester fiberglass housing with polycarbonate latches. Seamless continuously bonded poured-in-place polyurethane gasketing. Ballast/component tray attaches fixture body with pinch-release clips. 1/2" conduit entry hole in each end of housing with weathertight plug.

- Stainless steel latch with "keeper" (optional).
- Latches can be tamper proof with #6 screw.

#### DIFFUSER

High reflectance component tray reflector. 100% impact modified UV stabilized acrylic liner ribbed lens with smooth exterior face for easy cleaning.

#### MOUNTING

Durable stainless steel mounting hardware. No holes ever have to be drilled through the housing for installation. Installation time is dramatically reduced. Optional stainless steel bail for chain hung installations.

#### LISTING / CERTIFICATIONS

Fixture and Ballast: UL Listed, Wet Area

Ballast: Thermally protected, class P, HPF, Non PCB

NSF: Splash Zone certified

IP67: Certified (immersion at 1m for 30 min.)

CUL

High Pressure Hose Down

IP 65

Non Metallic

IP 66

UL 1598 Damp Locations

Nema 4, 4X

UL 1598 Wet Locations

### ORDERING INFORMATION

Example: CIT N LB217M23MVTSL

CIT	N	LB	232	M23	MV	TSL
<b>Series</b>		<b>Lamp Count</b>			<b>Ballast &amp; Voltage</b>	
CIT		1, 2 or 3	17	24 in T8, 2 ft. nom. length	MV	Electronic, Multivolt (120-277)
Enclosed Wet		1, 2 or 3	14	22 in. T5, 2 ft. nom length	HMV	Electronic, MV Hi-Lume [3]
Location Spec		1, 2 or 3	24	22 in. T5HO, 2 ft. nom length	LMV	Electronic, MV Lo-Lume [3]
Grade		1, 2 or 3	32	48 in. T8, 4 ft. nom length	PMV	Program Start Multivolt
<b>Width</b>		1, 2 or 3	28	46 in. T5, 4 ft. nom length	(11)	Dual Ballasts (1 lamp + 1 lamp)
Blank Wide Body		1, 2 or 3	54	46 in. T5HO, 4 ft. nom length	(21)	Dual Ballasts (1 lamp + 2 lamp)
N Narrow Body (1 lamp)		2 or 3	32 8	48 in. T8, 8 ft. nom. length (tandem)	<b>Options</b>	
<b>Lens</b>		2 or 3	28 8	46 in. T5, 8 ft. nom. length (tandem)	CITMBIL	Mounting Bracket for 1 light
LB Linear Ribbed Acrylic		2 or 3	54 8	46 in. T5HO, 8 ft. nom. length (tandem)	CITMB2L	Mounting Bracket for 2 or 3 light. (2 per fixture)
PC Polycarbonate		<b>Reflector</b>			MDT4	Motion Sensor w/ Extender Arm
OL Optical Clear Lens		Blank	No Reflector		MDT4W	Wet Location Motion Sensor w/Extender Arm
		M23	Mirrored Reflector Standard		MDT4C	Cold Weather Motion Sensor w/Extender Arm
		M45	Wide Mirrored Reflector		CITJBMT - MBTL	Junction Box Center Mount
					SL	Stainless steel Latch
					TSL	Tamper Resistant Stainless Latch

\* For 1 Light matching 2 light wider body add "WD"





# Saylite

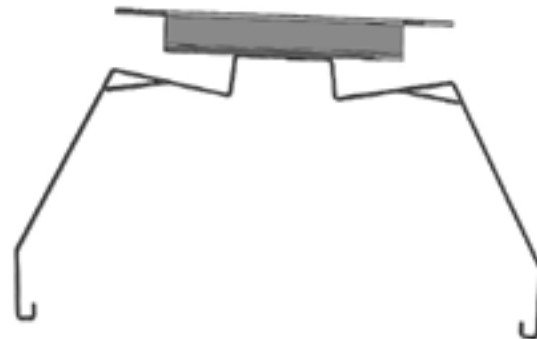
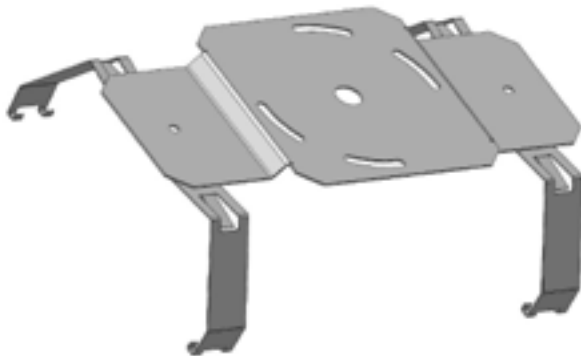
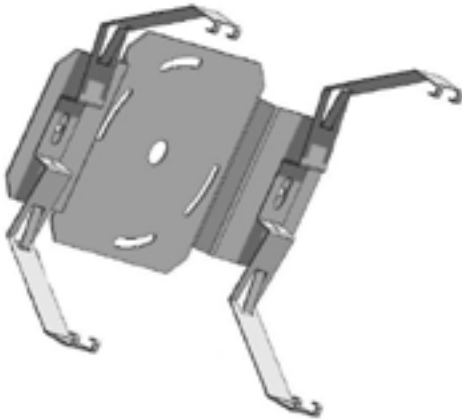
Texas Fluorescents  
Reinvented

## CIT Series Harsh Environment Enclosures



New Accessory for Junction Bar Mounting

Order: CITJ8MT-M8TL



### PHOTOMETRICS

Calculated using the zonal cavity method in accordance with IESNA LM41 procedure. Lamp configurations shown are typical. Photometric data on these and other configurations available upon request.

#### Candela Distribution

	0.0	22.5	45.0	67.5	90.0
0	1818	1818	1818	1818	1818
5	1811	1822	1850	1852	1861
15	1745	1812	1879	1941	1948
25	1625	1711	1743	1766	1768
35	1448	1531	1585	1651	1673
45	1211	1287	1402	1507	1538
55	911	1015	1182	1386	1441
65	569	698	946	1255	1400
75	226	423	629	823	977
85	29	192	412	576	625
90	12	109	293	443	502
95	11	35	214	335	395
105	6	9	79	128	144
115	0	0	22	56	68
125	0	0	2	15	25
135	0	0	0	1	6
145	0	0	0	0	0
155	0	0	0	0	0
165	0	0	0	0	0
175	0	0	0	0	0

Floor	20%	30%	20%	20%	20%	20%	20%	20%	20%	20%	20%	20%	20%	20%	20%	20%	20%	20%	20%
Ceiling	80%	80%	80%	80%	70%	70%	70%	70%	50%	60%	60%	30%	30%	30%	10%	10%	10%	0%	0%
Wall	70%	50%	30%	10%	70%	50%	30%	10%	50%	30%	10%	50%	30%	10%	50%	30%	10%	50%	30%
RCR Zonal cavity coefficients CIT254 Spacing ratio Along 1:2 Across 1:9																			
0	81	81	81	81	79	79	79	79	75	75	75	71	71	71	67	67	67	66	66
1	73	69	65	62	70	67	64	61	63	61	58	60	58	56	57	55	53	52	52
2	65	59	54	49	63	57	52	46	54	50	47	51	48	45	49	40	44	42	42
3	59	51	45	40	57	50	44	40	47	42	38	45	41	37	43	39	35	34	34
4	54	45	39	34	52	44	38	33	42	38	32	40	36	32	38	34	31	29	29
5	50	40	34	29	48	39	33	28	37	32	28	36	31	27	34	30	26	25	25
6	46	36	29	25	44	36	29	25	33	28	24	32	27	24	31	26	23	21	21
7	42	32	26	22	41	32	26	22	30	25	21	29	24	21	28	24	20	19	19
8	39	30	23	19	38	29	23	19	28	22	19	27	22	18	25	21	18	17	17
9	37	27	21	17	35	26	21	17	25	20	17	24	20	17	23	19	16	15	15
10	34	25	19	16	33	24	19	15	23	19	15	23	18	15	22	18	15	13	13

#### Photometric Distribution Curve



#### Luminance Data (CD/SQ. M)

	0-DEG	45-DEG	90-DEG
45	7605	7508	7885
55	6955	7259	8355
65	5762	7060	7535
75	3558	6213	7799
85	1100	6329	8136

### OPTIONAL MOTION SENSORS



Add Motion Sensor (Choice of Wet, Cold or Standard Sensor with Extender Arm)