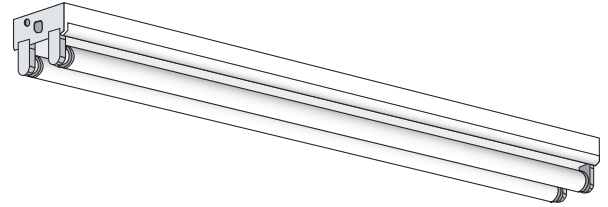


Series C

Medium Body Strip

*SEE IND Fixtures for strips with reflectors



FEATURES & SPECIFICATIONS

INTENDED USE

Medium body strip for interior warehouse, retail, and utility areas requiring general illumination in a commercial quality strip configuration.

SIZE W x L x H in inches (mm)

4.25W x 2.00H (110 x 50)

Fixture length = lamp(s) length

LAMP

1, 2, or 3 Lamp Positions in Cross section.

MATERIALS & FEATURES

Housing is die-formed and embossed code 22 gage steel. Finish is high reflectance baked white enamel. Wiring knockouts are provided on back and end of housing. Ballast covers or reflectors attach without tools to simplify ballast access.

See IND Series for similar fixtures with reflectors.

- Single unit length and tandem fixtures available in most lamp styles.
- End plate doubles as coupler for continuous row mounts.
- See IND Series for similar fixtures with reflectors.

ORDERING INFORMATION

C	2		32		8		
	(Lamps not included)						
Series	Lamp Count		Lamp Type & Tandem Code [2]				
	C Medium Body Strip	1 or 2	20	24 in. T12			
1 or 2		30	6	36 in. T12			6ft. Tandem (Double Lamp Count)
1 or 2		40	8	48 in. T12			8ft. Tandem (Double Lamp Count)
1 or 2		F96T12	96 in. T12 Slimline				
1 or 2		F48T12HO	8	48 in. T12HO			8ft. Tandem (Double Lamp Count)
1 or 2		F72T12HO	72 in. T12HO				
1 or 2		F96T12HO	96 in. T12HO [7]				
1,2, or 3		17	24 in. T8				
1,2, or 3		25	6	36 in. T8			6ft. Tandem (Double Lamp Count)
1,2, or 3		32	8	48 in. T8			8ft. Tandem (Double Lamp Count)
1 or 2		59	96 in. F96T8 59W Slimline				
1 or 2		F48T8HO	8	48 in. T8HO			8ft. Tandem (Double Lamp Count)
1 or 2		F96T8HO	96 in. T8HO				
2 or 3		14	22 in. T5 [4]				
2 or 3		21	34 in. T5 [4]				
2 or 3		28	8	46 in. T5			8ft. Tandem (Double Lamp Count) [4]
2 or 3		24	22 in. T5HO [4]				
2 or 3		39	34 in. T5HO [4]				
2 or 3		54	8	46 in. T5HO			8ft. Tandem (Double Lamp Count) [4]

Notes

- [1] See end of T02Strip section for many additional lamps, ballasts, finishes, and options.
 [2] Tandem doubles length and lamp count. Same lamps in cross section, additional lamps end to end.
 [3] HiLume and LoLume ballasts available for T8 lamps only.
 [4] T5 & T5HO S body strips are full 24/36/48/96in length. See KDS series for shorter strips.
 [5] Magnetic ballasts available for T8 & T12 only.
 [6] Standard magnetic T12 ballasts for 48in lamp drive a 34W energy saver. Specify electronic to drive 48in T12 34 or 40W lamp.
 [7] Electronic ballasts ONLY for F96T12HO in C series. See K series for magnetic F96T12HO ballasts.
 [8] EM for T5, T5HO requires T5 emergencies

MOUNTING

Surface mount, chain hung, double stem. See end of chapter T02Strip for accessory mount kits.

LISTING

Fixture and Ballast: UL Listed.

Ballast: Thermally protected, class P, HPF, Non PCB; unless specified otherwise.

TYPICAL OPTIONS AND ACCESSORIES

Emergency ballasts, whips, fuses, and wire guards. See options page at the end of the T02Strip section, or contact factory for more details.

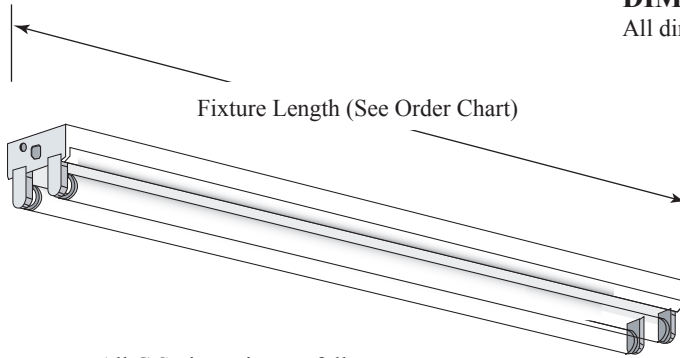
Example: C 232 8 MV

MV	
Ballast & Voltage [1]	
E120	Electronic, 120V
E277	Electronic, 277V
MV	Electronic, Multivolt (120-277)
HMV	Electronic, MV Hi-Lume [3]
LMV	Electronic, MV Lo-Lume [3]
M120	Magnetic, 120V [5,6,7] Magnetic,
M277	277V [5,6,7]
X1	Wired for single ended LED T8 lamps
X2	Wired for double ended LED T8 lamps
XX	No sockets, ballasts or wiring
Options [1]	
WP	6 ft. 3 wire 18 gauge whip
WP10	6 ft. 4 wire 18 gauge whip
EM	Emergency ballast, 500 lumens
EM14	Emergency ballast, 1400 lumens
D	Ballast Disconnect
LN15W30	Single ended 15W 1800 Lumen 3500K* Included
LN18W30	Single ended 18W 2100 Lumen 3500K* Included

* Change 30 to 40 or 50 for 4000K or 5000K

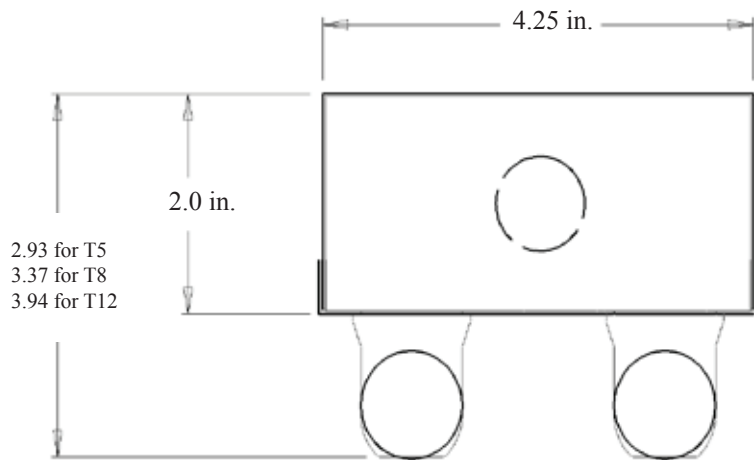
DIMENSIONS

All dimensions are inches. Specifications subject to change without notice.



All C Series strips are full
2, 3, 4, 6 or 8 ft. lengths
(inc T5 & T5HO)

End View



PHOTOMETRICS

Calculated using the zonal cavity method in accordance with IESNA LM41 procedure. Lamp configurations shown are typical. Photometric data on these and other configurations available upon request.

Floor	20%	20%	20%	20%	20%	20%	20%	20%	20%
Ceiling	80%	80%	80%	70%	70%	70%	50%	50%	50%
Wall	70%	50%	30%	70%	50%	30%	50%	30%	10%
RCR	Zonal cavity coefficients			C2328		Spacing ratio.		Along 1.3	Across 1.6
0	0.97	0.97	0.96	0.92	0.84	0.84	0.77	0.78	0.77
1	0.87	0.81	0.77	0.78	0.71	0.64	0.65	0.62	0.60
2	0.78	0.70	0.63	0.66	0.61	0.51	0.55	0.51	0.47
3	0.71	0.60	0.52	0.57	0.52	0.41	0.48	0.43	0.39
4	0.64	0.53	0.44	0.50	0.46	0.35	0.42	0.37	0.32
5	0.59	0.46	0.38	0.44	0.41	0.29	0.37	0.32	0.27
6	0.54	0.41	0.33	0.40	0.36	0.25	0.33	0.28	0.24
7	0.50	0.37	0.29	0.36	0.33	0.22	0.30	0.25	0.21
8	0.46	0.34	0.26	0.33	0.30	0.19	0.28	0.22	0.18
9	0.43	0.31	0.24	0.30	0.27	0.17	0.25	0.20	0.16
10	0.40	0.28	0.21	0.27	0.25	0.15	0.23	0.18	0.15

Floor	20%	20%	20%	20%	20%	20%	20%	20%	20%
Ceiling	80%	80%	80%	70%	70%	70%	50%	50%	50%
Wall	70%	50%	30%	70%	50%	30%	50%	30%	10%
RCR	Zonal cavity coefficients			C232		Spacing ratio.		Along 1.3	Across 1.6
0	1.02	1.02	1.01	0.96	0.88	0.88	0.81	0.81	0.81
1	0.91	0.85	0.80	0.82	0.75	0.68	0.68	0.65	0.63
2	0.82	0.73	0.66	0.70	0.64	0.54	0.58	0.54	0.50
3	0.74	0.63	0.54	0.60	0.55	0.43	0.50	0.45	0.41
4	0.67	0.55	0.47	0.53	0.48	0.36	0.44	0.39	0.34
5	0.62	0.49	0.40	0.47	0.43	0.31	0.39	0.33	0.29
6	0.56	0.43	0.35	0.42	0.38	0.26	0.35	0.29	0.25
7	0.52	0.39	0.31	0.38	0.35	0.23	0.32	0.26	0.22
8	0.49	0.36	0.28	0.34	0.32	0.21	0.29	0.23	0.19
9	0.45	0.32	0.25	0.31	0.29	0.18	0.27	0.21	0.17
10	0.42	0.30	0.22	0.29	0.27	0.16	0.25	0.19	0.15

Catalog Number:
Notes: