



Texas Fluorescents
Reinvented

Series C-FR

LED Strip with Lens



FEATURES & SPECIFICATIONS

INTENDED USE

Economical LED Strip is specially designed with a highly efficient frosted lens and elongated end caps to provide a more finished look. For over 50 years, the fluorescent 2 light strip has been one of the most popular lighting fixtures. The LED version is problematic because the LED arrays are very bright and uncomfortable to look at. LED performs better with a lens, but that increases the price and reduces the efficiency. This new economical LED strip provides the economy that customers are looking for along with the look and performance that they are used to. This fixture is ideal in those areas that need comfortable general lighting at a good value. Available in 2ft, 4ft and 8ft sizes with a wide variety of wattage and lumen packages. The fixtures can be used individually or joined together. DLC listed.

DIFFUSER

Frosted Snap-on lens fits neatly over the LED body with a friction fit to provide glare free lighting and hide the LED image. The lens can be easily removed for cleaning and is open on the ends for air circulation. Extended end caps finish the look with the lens.

MATERIALS & FEATURES

Housing is die-formed and embossed code 22 gage steel. Finish is high reflectance baked white enamel. Wiring knockouts are provided on back and end of housing. Ballast covers or reflectors attach without tools to simplify ballast access.

- End plate doubles as coupler for continuous row mounts.

MOUNTING

Surface mount, chain hung, double stem.

TYPICAL OPTIONS AND ACCESSORIES

Whips, Emergency battery backup (IOTA ILB-CP10), or contact factory for more details.

Listing

ETL Dry and Damp location rating.

SIZE

W x L x H in inches

2ft: 4.25W x 24.00L x 2.95H

4ft: 4.25W x 48.00L x 2.95H

8ft: 4.25W x 96.00L x 2.95H



2 ft - STANDARD

Example: C48LFRF30W3400LDMV40K

C	24L	FR	F30W3400L	DMV	40K
Series	Length	Lens	Wattage and Lumen	Driver	Kelvin Temperature
C Medium Body Strip	24L 24"	FR Frosted Lens	F18W2300L 18 System Watts, 2300 Delivered Lumens	DMV 0-10V Dimming	30K 3000K
			F24W3000L 24 System Watts, 3000 Delivered Lumens		35K 3500K
			F28W3300L 28 System Watts, 3300 Delivered Lumens		40K 4000K
			F30W3400L 30 System Watts, 3400 Delivered Lumens		50K 5000K
					Options
		WP	6 ft. 3 wire 18 gauge whip		
		WP10	6 ft. 4 wire 18 gauge whip		
		EM	10w Emergency battery backup		
		PI1	3 Wire Harness		
		PI3	5 Wire Harness		

*Consult factory for more options

Saylite
2055 Luna Rd. Suite 142 Carrollton, TX 75006
Phone: 972-247-3171 Fax: 972-247-0200
www.saylite.com email: sales@saylite.com

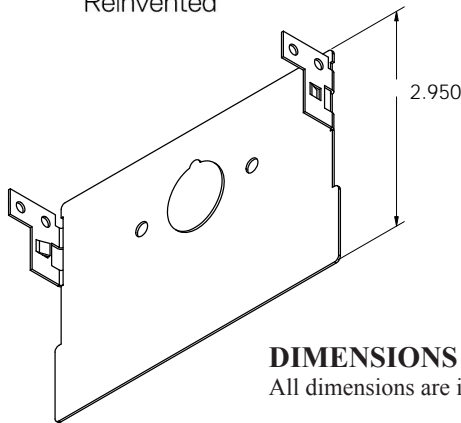
Catalog Number:
Notes:



Texas Fluorescents
Reinvented

Series C-FR

LED Strip with Lens



DIMENSIONS

All dimensions are inches. Specifications subject to change without notice



4 ft - STANDARD

Example: C48LFRF35W4500LDMV40K

C	48L	FR	F35W4500L	DMV	40K
Series	Length	Lens	Wattage and Lumen	Driver	Kelvin Temperature
C	48L 48"	FR Frosted Lens	F24W3200L 24 System Watts, 3200 Delivered Lumens	DMV 0-10V Dimming	30K 3000K
Medium Body Strip			F30W4000L 30 System Watts, 4000 Delivered Lumens		35K 3500K
			F35W4500L 35 System Watts, 4500 Delivered Lumens		40K 4000K
			F48W6000L 48 System Watts, 6000 Delivered Lumens		50K 5000K
			F57W7100L 57 System Watts, 7100 Delivered Lumens		
					Options
					WP 6 ft. 3 wire 18 gauge whip
					WP10 6 ft. 4 wire 18 gauge whip
					EM 10w Emergency battery backup
					PI1 3 Wire Harness
					PI3 5 Wire Harness

8 ft - STANDARD

C	96L	FR	F57W7100L	DMV	40K
Series	Length	Lens	Wattage and Lumen	Driver	Kelvin Temperature
C	96L 96"	FR Frosted Lens	F24W3200L 24 System Watts, 3200 Delivered Lumens	DMV 0-10V Dimming	30K 3000K
Medium Body Strip			F48W6000L 48 System Watts, 6000 Delivered Lumens		35K 3500K
			F57W7100L 57 System Watts, 7100 Delivered Lumens		40K 4000K
			F70W9100L 70 System Watts, 9100 Delivered Lumens		50K 5000K
			F97W11900L 97 System Watts, 11900 Delivered Lumens		
		F118W14200L 118 System Watts, 14200 Delivered Lumens			
					Options
					WP 6 ft. 3 wire 18 gauge whip
					WP10 6 ft. 4 wire 18 gauge whip
					EM 10w Emergency battery backup
					PI1 3 Wire Harness
					PI3 5 Wire Harness

*Consult factory for more options

Saylite
2055 Luna Rd. Suite 142 Carrollton, TX 75006
Phone: 972-247-3171 Fax: 972-247-0200
www.saylite.com email: sales@saylite.com

Catalog Number:
Notes:

