

CATALOG# : \_\_\_\_\_

PROJECT : \_\_\_\_\_

TYPE : \_\_\_\_\_

# Series BOLPFH/BOLPFC

## LED Commercial Grade Bollard

This attractive, heavy-duty bollard features full proof aluminum construction housing, providing corrosion and vandal resistance ideal for lighting pedestrian walkways, as well as accenting the exterior grounds of office and apartment buildings, hotel and parks. A solid foundation withstands the elements, driver options work in even the worst weather conditions.

### CONSTRUCTION

LED compartment is airtight to prevent fogging and condensation build up and keep water out. Aluminum reflector designed to reduce glare and produce an even distribution. Extruded aluminum tube provides strength as well as protects and conceals the component wiring. Clear UV resistant polycarbonate lens allows for optimal light transmission and protects the light engine compartment from harsh environments.



### DIMENSIONS

Diameter: 8"

Height: 36"

### FEATURES & BENEFITS

- Housing is consisting of an extruded aluminum alloy body
- Standard 4kV surge
- High-impact polycarbonate diffuser
- UV stabilized powder coated finish
- Anodized aluminum reflector option
- Bronze standard finish
- UL and CUL listed for wet locations
- Multiple color temperatures (3000K, 4000K, 5000K)
- Working temperature: -40C ~ + 50C
- 5 Year Warranty

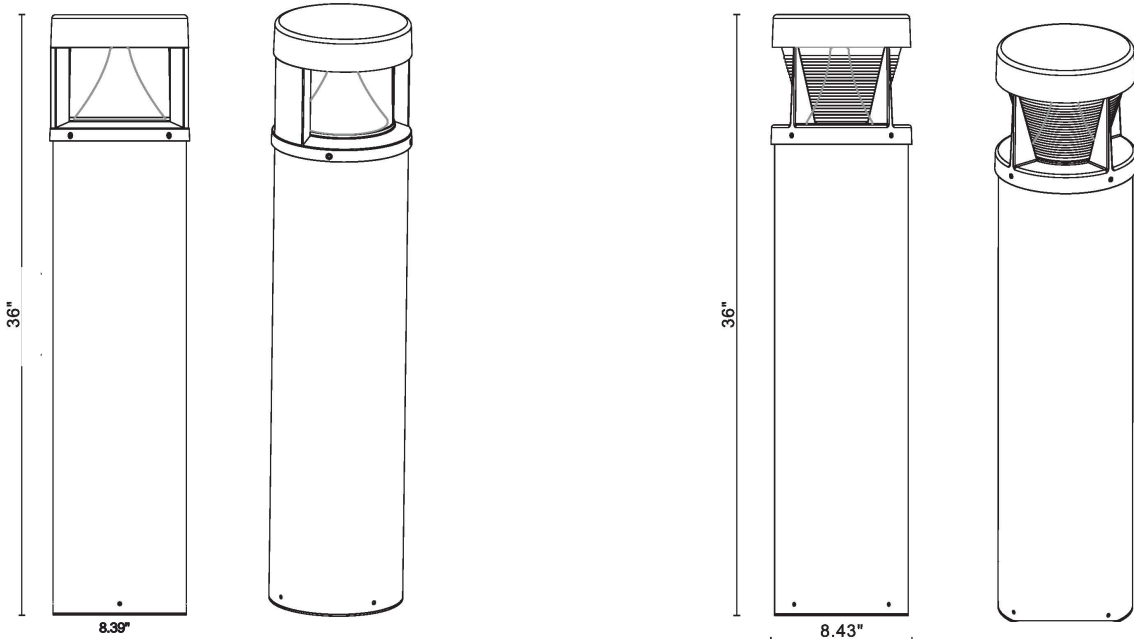
## CONSTRUCTION



## ORDERING INFORMATION

ITEM NUMBER	DESCRIPTION
BOLPFH36W2500LMV40KBZ	LED Flat Top Bollard with Half lens / 8"Dia x 36"L / 36W, 2500L / 120-277V / 4000K / Bronze
BOLPFH36W2500LMV50KBZ	LED Flat Top Bollard with Half lens / 8"Dia x 36"L / 36W, 2500L / 120-277V / 5000K / Bronze
BOLPFC36W2500LMV40KBZ	LED Flat Top Bollard with Cone Lens / 8"Dia x 36"L / 36W, 2500L / 120-277V / 4000K / Bronze
BOLPFC36W2500LMV50KBZ	LED Flat Top Bollard with Cone Lens / 8"Dia x 36"L / 36W, 2500L / 120-277V / 5000K / Bronze

**DRAWINGS & IMAGES**



**Versatile mounting holes**

