

4RB Series

48 in. Ballast Cover Retrofit Kit

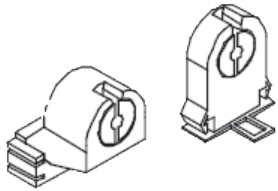
FEATURES & SPECIFICATIONS

INTENDED USE

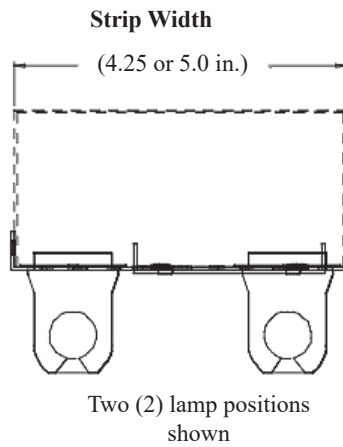
ballast cover to an existing channel. Ballast and mounting plate may be removed for service without distributing 48 in. cover. Available with lamp holders that convert a 48 in. T8 strip to hold T5 or T5HO lamps.

KIT INCLUDES

- (1) 48 in. Ballast cover with lamp holder cut outs
- (1) Ballast mounting plate
- (8) #8 x 3/8" TEX mounting screws

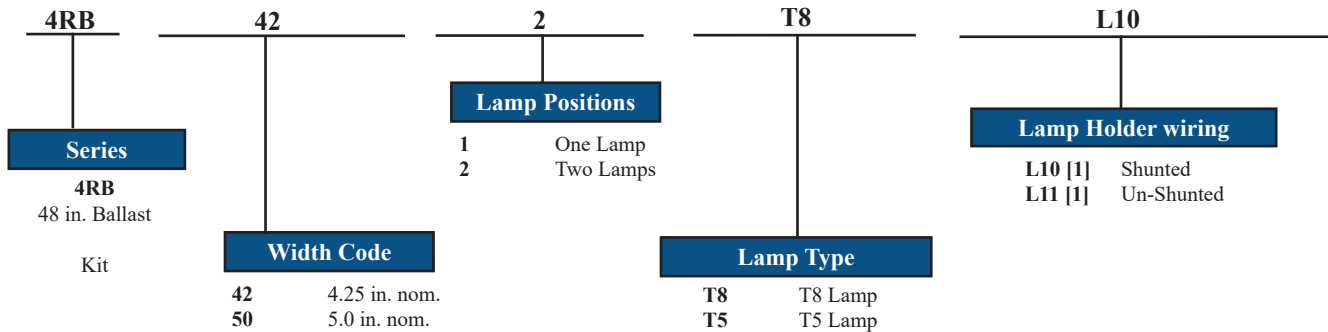


T5 Style lamp holder on left covers 48 in. body to correct length for T5 lamp.
T8 style lamp holder shown on right.



ORDERING INFORMATION

Example: **4RB422T8L10**



[1] Shunted lamp holders (L10) are suitable for instant start ballasts, un-shunted (L11) for rapid or pro start ballasts.
[2] Most T5 & T5HO ballasts are rapid or pro start.