



Texas Fluorescents
Reinvented

CATALOG#: _____
PROJECT: _____
TYPE: _____

Series 45

LED Wall Mount, Pendant Mount Linear Fixture

A linear 4 x 5 fixture for distinctive architectural lighting plans. Ideal for corridors, lobbies, and office areas, 4 x 5 Series fixtures can be installed individually or in a continuous run. Specially designed for direct/indirect lighting with snap in lens to hide the lamps or LED arrays. Ideal where downlight and uplight are required.

CONSTRUCTION

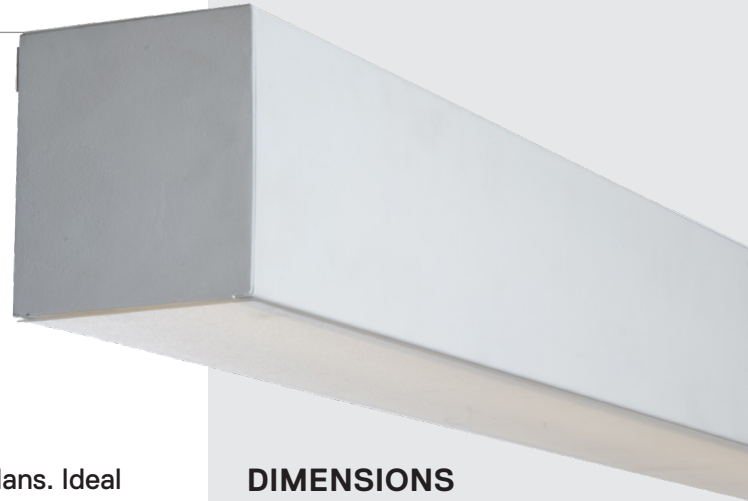
Die-formed and welded 22-gauge cold rolled steel. Knockouts on ends allow continuous wireway mounting. Housing is specially designed for direct/indirect lighting with separating lamps compartments for each.

DIFFUSERS

Fixture accepts various lenses or louvers. 4' and 8' units have a steel mullion to join two individual diffusers. Snap-in reflector is ideal for uplight lens.

TYPICAL OPTIONS & ACCESSORIES

Cord sets, whips, occupancy sensors, hanging kits, wire guards. Contact factory for more details.



DIMENSIONS

8ft.-4"W x 96"L x 5.1"H
4ft.-4"W x 48"L x 5.1"H

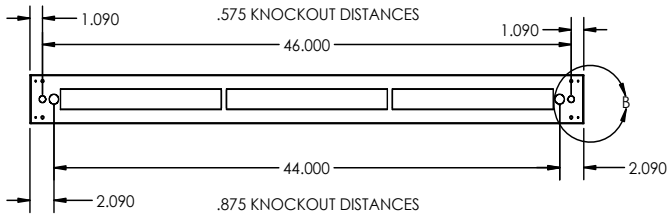
FEATURES & BENEFITS

- Can be surface mounted to the ceiling or pendant hung by stem or cable.
- Consult factory for custom length or custom finish
- Can be used individually or in continuous row
- Light is continuous bringing a clean line
- Suitable for commercial or residential areas
- Suitable for dry and damp locations
- 50,000 hrs of L70 LED life
- CRI >80
- 0-10 Volt dimmable 120-277V
- Power factor 0.99
- 5 year warranty

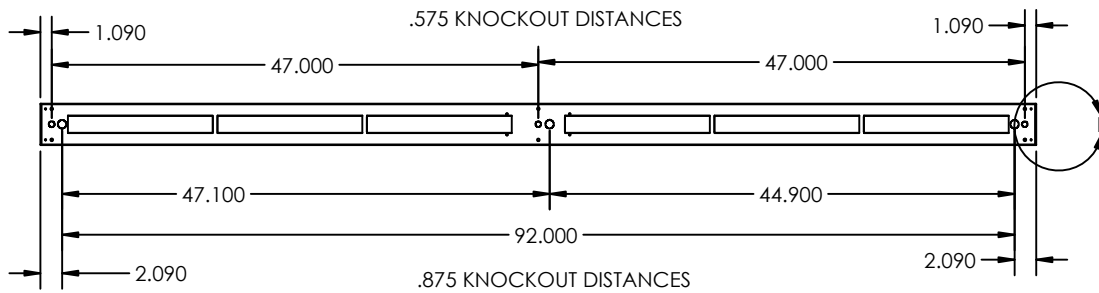


DRAWINGS & IMAGES

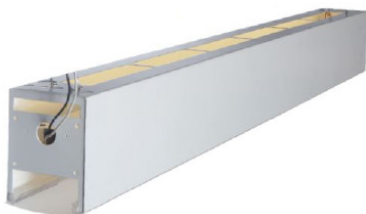
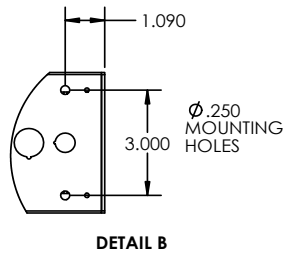
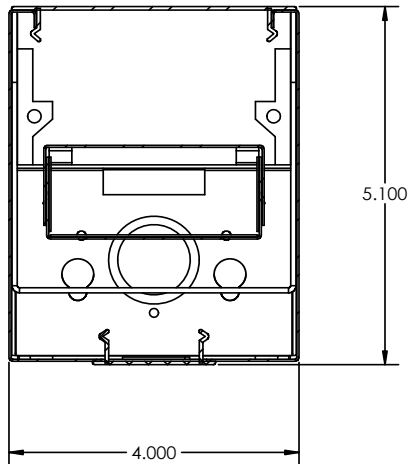
4 ft. - Back



8 ft. - Back



End



Uplight & Downlight



Continuous Run End



Wall/Pendant Mount



Texas Fluorescents
Reinvented

CATALOG#: _____
PROJECT: _____
TYPE: _____

Series 45

LED Wall Mount, Pendant
Mount Linear Fixture

ORDER INFORMATION

8 Ft.

SERIES	LENS MATERIAL	LENGTH	WATTAGE & LUMENS	DRIVER	COLOR
45W Wall Mount 45P Pendant Mount	MW	Matte white lens (Only available for down light)	96L 96" UR24WD48W Uplight 24 Watts Downlight 48 Watts 7200 Lumens UR36WD72W Uplight 36 Watts Downlight 72 Watts 10800 Lumens *	DMV 0-10V dimming	30K 3000K 35K 6500K 40K 4000K 50K 5000K
	SF	Snap-in frosted acrylic lens (85% transmission) Special for LEDs; only available for upright and downlight			

FINISH	CONFIGURATION	OPTIONS
WH White BK Black SI Silver	Blank Individual -B Beginner Run -E Ender Run -J Joiner	HC301WH Cable kit with 4' cable & 3 wires power feed/cable incl. and white canopy HC302WH Cable kit with 12' cable & 3 wires power feed/cable incl. and white canopy HC3015WWH Cable kit with 4' cable & 5 wires power feed/cable incl. and white canopy HC3025WWH Cable kit with 12' cable & 5 wires power feed/cable incl. and white canopy 2SCS24WH Two stem kits with 24" stem, canopy and mounting hardware for a 4' fixture

4 Ft.

SERIES	LENS MATERIAL	LENGTH	WATTAGE & LUMENS	DRIVER	COLOR
45W Wall Mount 45P Pendant Mount	MW	Matte white lens (Only available for down light)	48L 48" UR12WD24W Uplight 12 Watts Downlight 24 Watts 3600 Lumens UR18WD36W Uplight 18 Watts Downlight 36 Watts 5400 Lumens UR24WD48W Uplight 24 Watts Downlight 48 Watts 7200 Lumens *	DMV 0-10V dimming	30K 3000K 35K 6500K 40K 4000K 50K 5000K
	SF	Snap-in frosted acrylic lens (85% transmission) Special for LEDs; only available for upright and downlight			

FINISH	CONFIGURATION	OPTIONS
WH White BK Black SI Silver	Blank Individual -B Beginner Run -E Ender Run -J Joiner	HC301WH Cable kit with 4' cable & 3 wires power feed/cable incl. and white canopy HC302WH Cable kit with 12' cable & 3 wires power feed/cable incl. and white canopy HC3015WWH Cable kit with 4' cable & 5 wires power feed/cable incl. and white canopy HC3025WWH Cable kit with 12' cable & 5 wires power feed/cable incl. and white canopy 2SCS24WH Two stem kits with 24" stem, canopy and mounting hardware for a 4' fixture

PART NO.	DESCRIPTIONS
PI1	3 wires harness, including white, black and green
PI2	4 wires harness, including white, black, green and blue for emergency battery backup
PI3D	5 wires harness, including white, black, green, violet and gray

Note:
*Programmable LED drivers allow custom configured wattages and corresponding lumens.
We reserve the right to change design, materials, LED's and finish in any way that will not alter installed appearance or reduce function and performance.