



Texas Fluorescents
Reinvented

CATALOG#: _____
PROJECT: _____
TYPE: _____

Series 44R

LED Recessed Linear Lines of Light for T Bar Ceiling

A linear 4 x 4 fixture for distinctive architectural lighting plans. Ideal for corridors, lobbies, and office areas, Series 44R fixtures can be installed individually or in a continuous run. Specially designed for direct light only. Utilizes a convenient snap-in lens to hide the LED arrays.

CONSTRUCTION

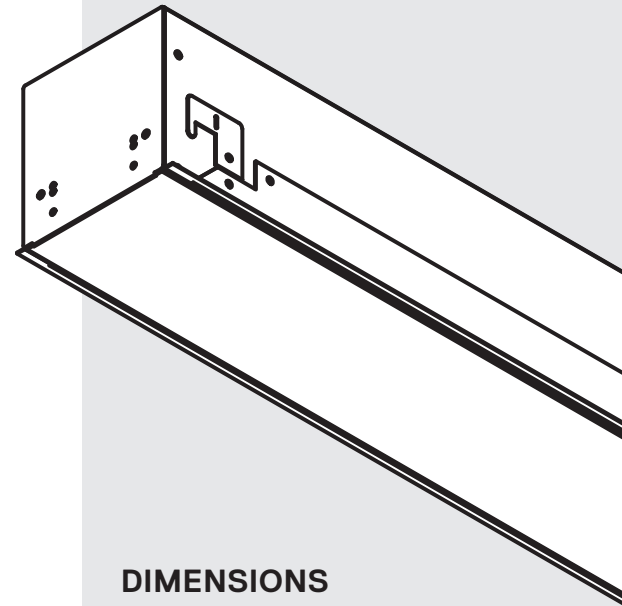
Die-formed and welded 22-gauge cold rolled steel. Knockouts on ends allow continuous wireway mounting. Housing is specially designed for smooth and uniform ambient lighting for all commercial and industrial buildings with recessed configurations.

DIFFUSERS

Fixture accepts various lenses or louvers. 2', 4' and 8' units have a steel mullion to join two individual diffusers.

TYPICAL OPTIONS & ACCESSORIES

Cord sets, whips, occupancy sensors. Contact factory for more details.



DIMENSIONS

2ft. - 24"L x 4"W x 4"H

4ft. - 48"L x 4"W x 4"H

8ft. - 96"L x 4"W x 4"H

Custom lengths available;
contact factory

FEATURES & BENEFITS

- Recessed linear fixture for mounting with T Bar / Grid ceilings
- For individual use or lined up in a continuous row, resulting in a clean line of light
- Recommended for commercial & residential applications
- CRI: >80 standard, 90 optional
- L70: >50,000 Hours
- Dimming: 0-10V 120-277V standard, 120V ELV/TRIAC optional
- Available in multiple Kelvin temperature options (3000K, 3500K, 4000K and 5000K)
- Multiple lumen packages / wattages through use of programmable drivers
- Emergency backup options available
- Power Factor: >0.90
- IC Rated for damp and dry locations
- 5-Year Warranty





Texas Fluorescents
Reinvented


CATALOG# : _____
PROJECT : _____
TYPE : _____

Series 44R

LED Recessed Linear Lines of
Light for T Bar Ceiling

ORDER INFORMATION

Factory at your fingertips. Fill in the blanks to create your part number or create a custom configuration.

SENSOR	SERIES	WALL WASH	LENS MATERIAL	LENGTH	W		L		DRIVER		COLOR	
					WATTAGE*	LUMENS*	WATTAGE*	LUMENS*	DRIVER	DRIVER	COLOR	COLOR
SS Sensor - On/Off SV Bi-level (xx) SD Daylight Harvesting 	44R Recessed for T-Grid Ceiling	W Wall Wash	MW Matte white lens (Only available for downlight) SF Snap-in frosted acry- lic lens (85% transmission) Special for LEDs; only available for uplight and downlight	24L 24"	R12W1200L	12 Watts 1200 Lumens	R24W2400L	24 Watts 2400 Lumens	DMV 0-10V Dimming G120 ELV/TRIAC dim- ming at 120V only (only available with SS sensor) D1MV 0-10V Dimming (dim to 1%) DMV(xx) 0-10V Dimming (xx) for percentage of light output when not occupied. (required for SV sensor)	30K 3000K 35K 3500K 40K 4000K 50K 5000K		
					R24W2400L	24 Watts 2400 Lumens						
				48L 48"	R24W2400L	24 Watts 2400 Lumens	R48W4800L	48 Watts 4800 Lumens				
				96L 96"	R48W4800L	48 Watts 4800 Lumens	R96W9600L	96 Watts 9600 Lumens				

Additional Options

CRI**	FINISH	CONFIGURATION	OPTIONS
Blank 80 CRI 90 90 CRI	WH White BK Black SI Silver	Blank Individual -B Beginner Run -E Ender Run -J Joiner	CP Chicago Plenum EM 10W Emergency battery backup (internal, excludes less than 4ft) EM12 12W Emergency backup (internal, excludes less than 4ft) EM20 20W Emergency backup (remote only)

Note:

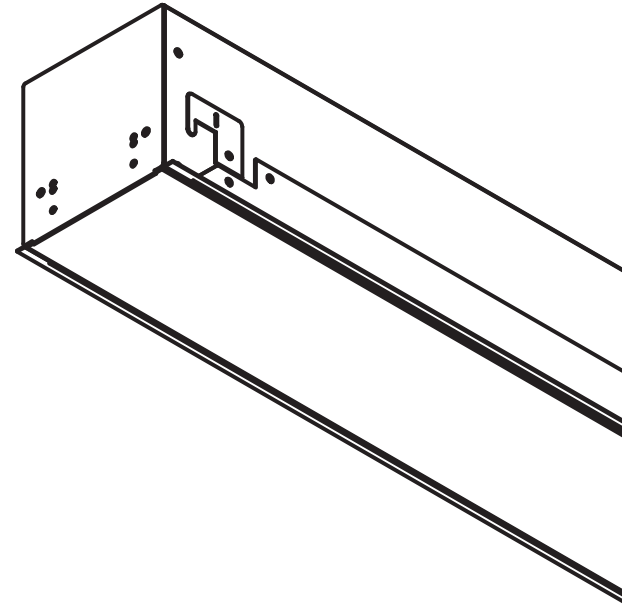
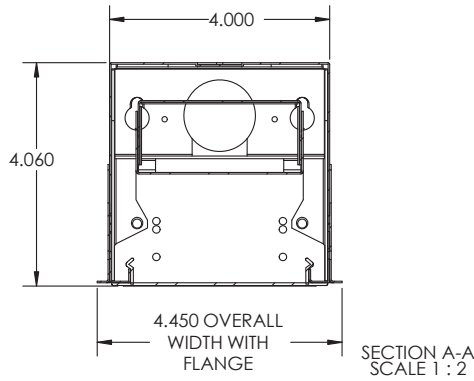
*Programmable LED drivers allow custom configured wattages and corresponding lumens.

**Consult factory for 90CRI 5000K availability.

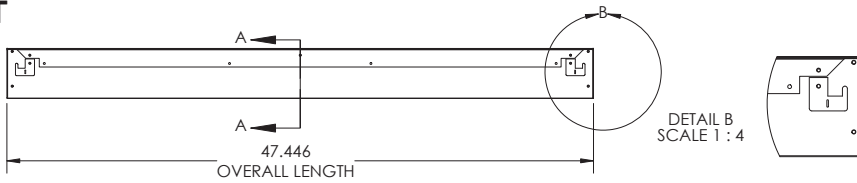
We reserve the right to change design, materials, LEDs and finish in any way that will not alter installed appearance or reduce function and performance.

DRAWINGS & IMAGES

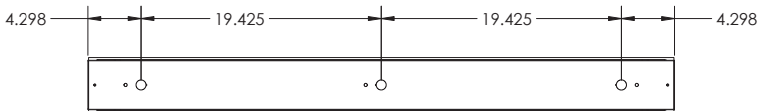
End Side View



4 FT



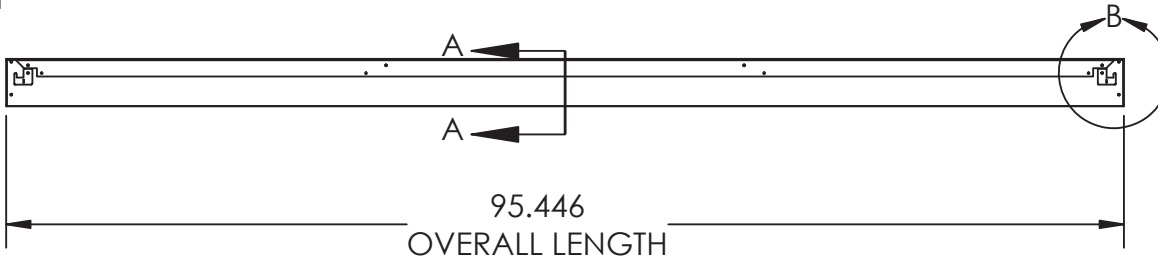
.875 KNOCKOUT DISTANCES



REPLACEMENT LENS ORDERING INFORMATION

PART NO.	DESCRIPTION
044RSF24L	Replacement Snap-in Frosted lens for 24"
044RSF48L	Replacement Snap-in Frosted lens for 48"
044RSF96L	Replacement Snap-in Frosted lens for 96"

8 FT



.875 KNOCKOUT DISTANCES

