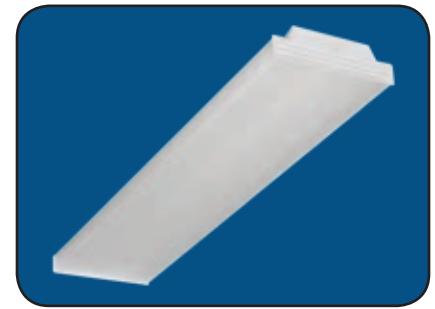




Texas Fluorescents
Reinvented

200 Series

Specification Grade Wraparound



FEATURES & SPECIFICATIONS

INTENDED USE

The 200 Series combines the desirable characteristics of the traditional luminaire for the conservative budget. Engineered to provide comfortable brightness values in the direct glare zone, the 200 Series is available in two,

SIZE W x L x H in inches (mm)

- 2 Lamp - 11.25W x 24.0L x 3.4Dp (2ft.)
- 2 Lamp - 15.8W x 24.0L x 3.4Dp (2ft.)
- 4 Lamp - 11.25W x 48.0L x 3.4Dp (4ft.)
- 4 Lamp - 15.8W x 48.0L x 3.4Dp (4ft.)

LAMP

2 or 4 lamp positions

CONSTRUCTION

Body and ends are die blanked, pierced and formed of 20 gauge cold rolled prime steel for rigidity and uniformity. Forming of the housing has been engineered to provide added strength along its entire length. Socket bars and wireway covers snap in place for easy installation and maintenance.

ELECTRICAL

thermally protected, H.P.F., CBM-ETL. Optional ballasts available include: energy saving (ESB), electronic (ELB), dimming (DIM), low temperature (L 60Hz

and ends for all connections and through wiring. U.L. labels.

DIFFUSERS

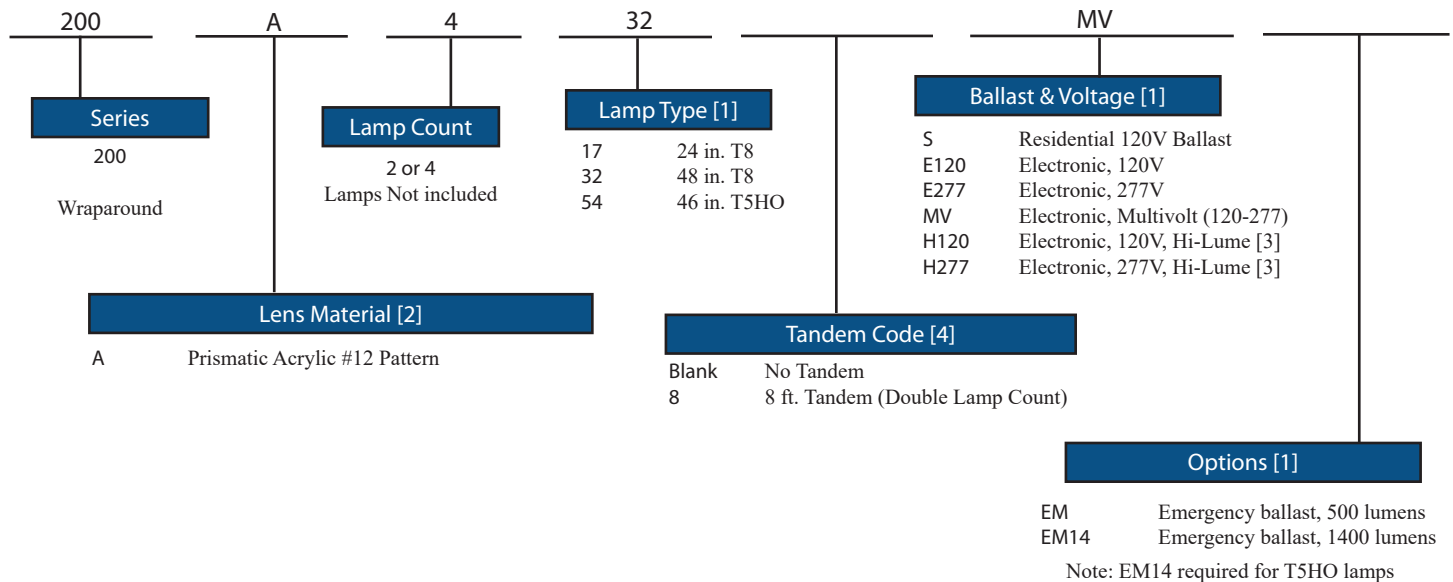
A crystal clear diffuser extruded from 100% virgin acrylic that will maintain its color under normal . Linear prisms on the interior side walls direct the light ceilingwards, which can then refract back down, The bottom is composed of an evenly spaced pattern of conical prisms yielding low brightness, glarefree diffused light. Diffuser is lift and shift for ease of relamping and cleaning and is capable of hanging down from either side of the housing.

LISTING

Fixture & Ballast: UL Listed Ballast: Thermally protected, class P, HPF, Non PCB

ORDERING INFORMATION

Example: 200A432MV

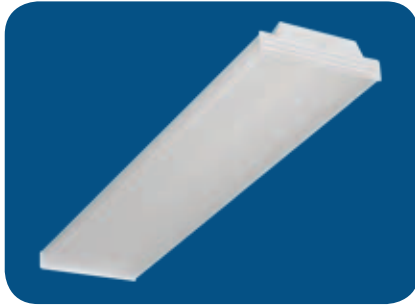


Notes

[1] See end of

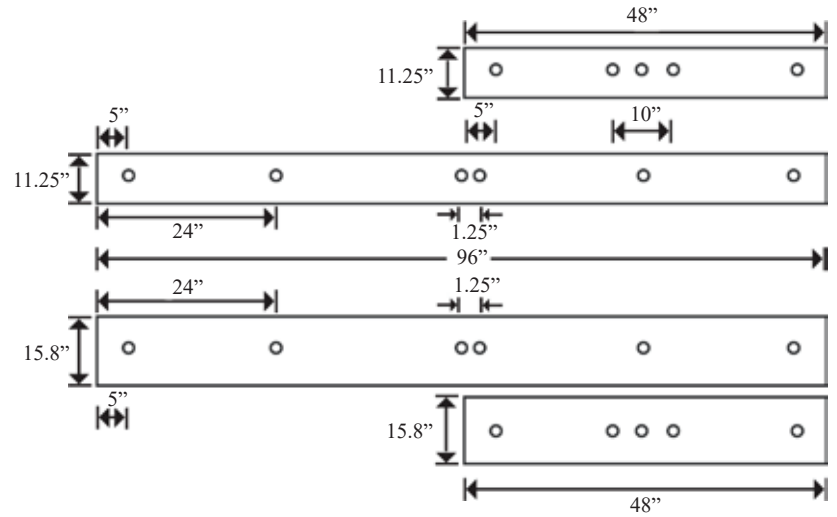
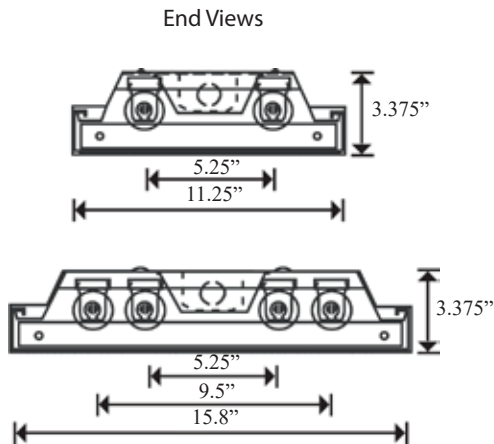
[3] HiLume and LoLume ballasts available for T8 lamps only.

Catalog Number:
Notes:



DIMENSIONS

Location of Knockouts On Top Of Housing
All knock outs 7/8" unless noted otherwise



PHOTOMETRICS

Calculated using the zonal cavity method in accordance with IESNA

Coefficients of Utilization 2-Lamp - 40 Watt

Floor	20%	20%	20%	20%	20%	20%	20%	20%	20%
Ceiling	80%	80%	80%	70%	70%	70%	50%	50%	50%
Wall	70%	50%	30%	70%	50%	30%	50%	30%	10%
Along 1.2 Across 1.3									
1	0.69	0.66	0.63	0.67	0.64	0.62	0.63	0.61	0.59
	0.66	0.63	0.60	0.65	0.62	0.59	0.61	0.59	0.57
3	0.64	0.60	0.58	0.62	0.58	0.55	0.59	0.55	0.53
4	0.61	0.57	0.53	0.59	0.56	0.52	0.56	0.53	0.51
5	0.58	0.53	0.49	0.56	0.52	0.49	0.53	0.50	0.47
6	0.53	0.48	0.44	0.51	0.47	0.43	0.48	0.45	0.42
7	0.49	0.44	0.40	0.48	0.43	0.39	0.45	0.41	0.38
8	0.44	0.38	0.34	0.43	0.38	0.34	0.41	0.36	0.33
9	0.38	0.33	0.29	0.39	0.34	0.28	0.36	0.31	0.28
10	0.30	0.25	0.21	0.29	0.24	0.21	0.28	0.24	0.21

Distribution Curve

