



Texas Fluorescents
Reinvented

CATALOG#: _____
PROJECT: _____
TYPE: _____

Series 128

LED Recessed Flanged Troffer

Specification grade F-Trim troffer installs directly in plaster ceilings, with a wide face trim to cover rough-in hole. Troffer is ideal for all commercial and industrial buildings requiring recessed illumination in plaster / sheetrock ceilings.

CONSTRUCTION

Housing is die-formed and embossed code 22 gauge steel. Finish is high reflectance baked white enamel. Wiring knockouts are provided on back of housing. Gear tray or reflector snaps into place; no tools required for driver. Lens is held with a hinged steel door frame; frame hinges downward on either side and is held closed by two positive cam latches. Premium, full specular reflectors are available as an option to increase efficiency or modify lighting distribution.

TYPICAL OPTIONS & ACCESSORIES

Emergency battery backup, cord sets, whips, wire guards. Contact factory for additional options.

LED ENGINE

Programmable driver changes LED array output to provide different outputs

MOUNTING

Recessed Mount for F-Trim for plaster, concealed Z-spline, or woodtrim ceilings.



DIMENSIONS

2x4 - 50.44"L x 24.75"W x 5.12"Dp
1x4 - 50.44"L x 13.25"W x 5.12"Dp

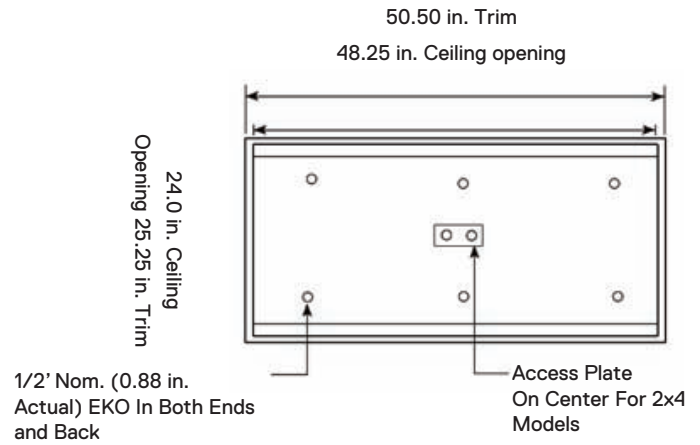
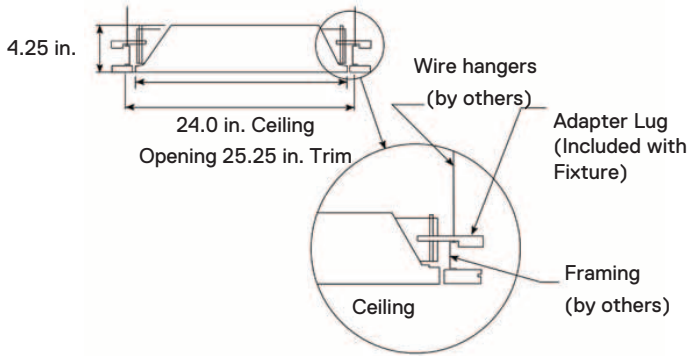
FEATURES & BENEFITS

- Post painted powder coat finish
- Shallow, low profile design. No external fasteners.
- Clear 0.10 thick acrylic lens is standard; many options available.
- Direct surface mount
- Fully enclosed spring loaded cam latches allow years of hassle free maintenance.
- Heavy gauge welded end plates and housing ensure durable, rigid construction.
- Fully gasketed door minimizes contaminants.
- >50,000 hrs of L70 LED life
- CRI >80
- 0-10 Volt dimmable 120-277V
- Power Factor 0.99
- 5 year warranty.

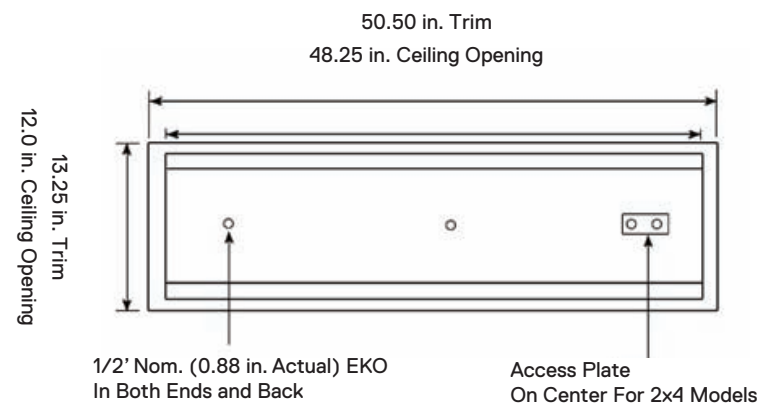
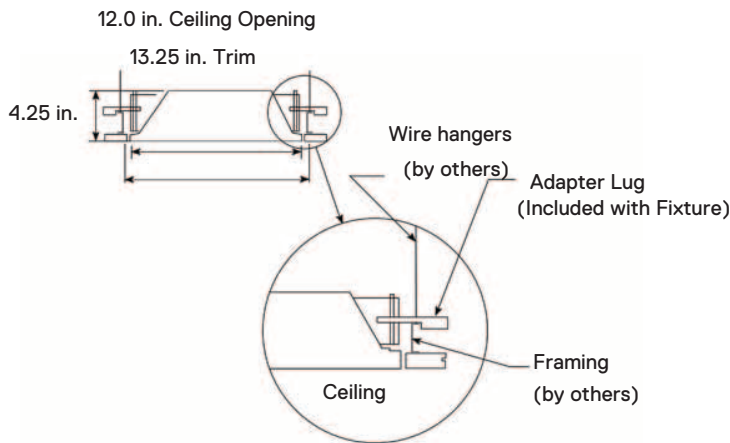


DRAWINGS & IMAGES

2x4



1x4





Texas Fluorescents
Reinvented

CATALOG#: _____

PROJECT: _____

TYPE: _____

Series 128

LED Recessed Flanged Troffer

PRODUCT NUMBERS

2 X 4 Standard

| SERIES | | LENGTH | WATTAGE & LUMENS | DRIVER | COLOR | |
|--------|------|---------|-------------------------|--|--|-------------------------|
| 128 | A | 24L 2x4 | J28W3800L | DMV 0-10V Dimming G120 Triac/ELV Dimming at 120V only | 30K 3000K 35K 3500K 40K 4000K 50K 5000K | |
| | | | 28 Watts 3800 Lumens | | | |
| | A125 | | J35W4600L | | | 35 Watts 4600 Lumens |
| | MW | | J40W5300L | | | 40 Watts 5300 Lumens |
| | SP1 | | J48W6300L | | | 48 Watts 6300 Lumens |
| | SP4 | | J57W7100L | | | 57 Watts 7100 Lumens |
| | SP2 | | | | | * * |
| | PLA | | | | | |

1 X 4 Standard

| SERIES | | LENGTH | WATTAGE & LUMENS | DRIVER | COLOR | |
|--------|------|---------|-------------------------|--|--|-------------------------|
| 128 | A | 14L 1x4 | J28W3500L | DMV 0-10V Dimming G120 Triac/ELV Dimming at 120V only | 30K 3000K 35K 3500K 40K 4000K 50K 5000K | |
| | | | 28 Watts 3500 Lumens | | | |
| | A125 | | J35W4300L | | | 35 Watts 4300 Lumens |
| | MW | | J40W4900L | | | 40 Watts 4900 Lumens |
| | SP1 | | J48W5800L | | | 48 Watts 5800 Lumens |
| | SP4 | | J57W6600L | | | 57 Watts 6600 Lumens |
| | SP2 | | | | | * * |
| | PLA | | | | | |

Note:

*Programmable LED drivers allow custom configured wattages and corresponding lumens.

We reserve the right to change design, materials, LED's and finish in any way that will not alter installed appearance or reduce function and performance.

2055 Luna Road Suite 142 | Carrollton, TX 75006

T 214.884.1150 | F 972.247.0200 | sales@saylite.com

05/06/2019